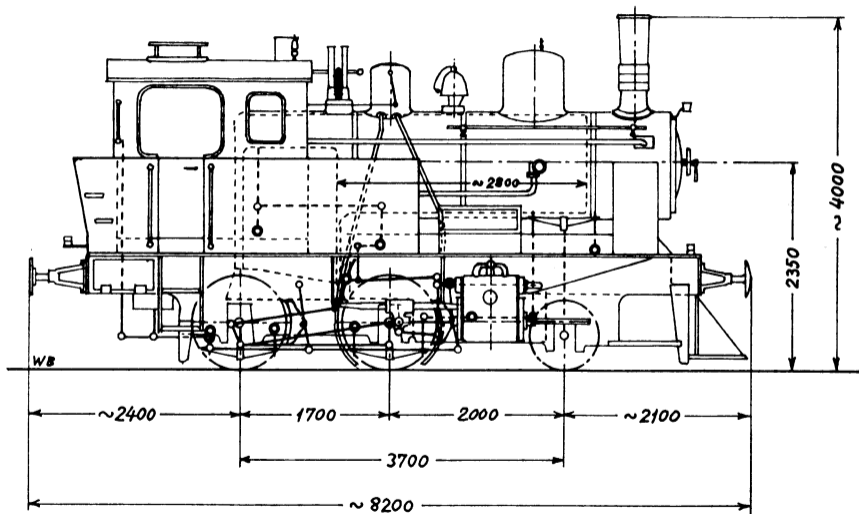


HLA 2,4, HH 11,13, RKB 1-3

~ KS 2 og 4



WB

~2400

1700

2000

~2100

3700

~8200

2350

~4000

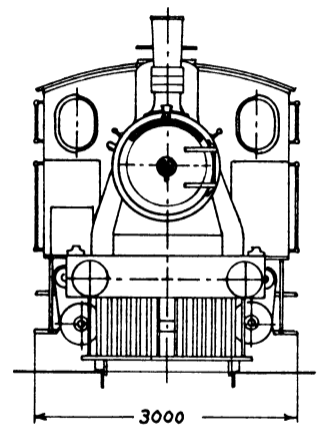
~2800

10,0

10,0

7,5

27,2t



3000

W.Bay

Tg. 110"