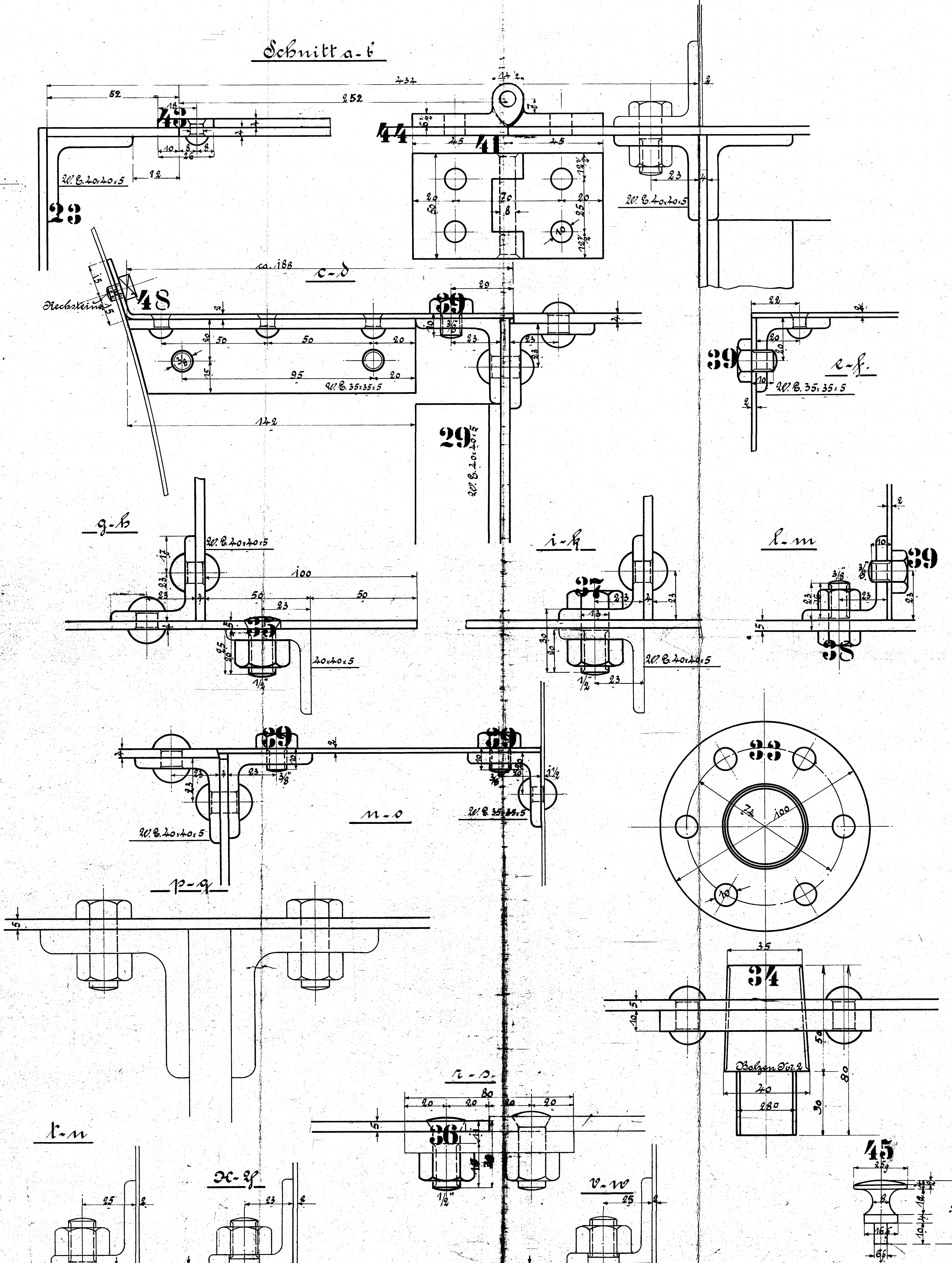
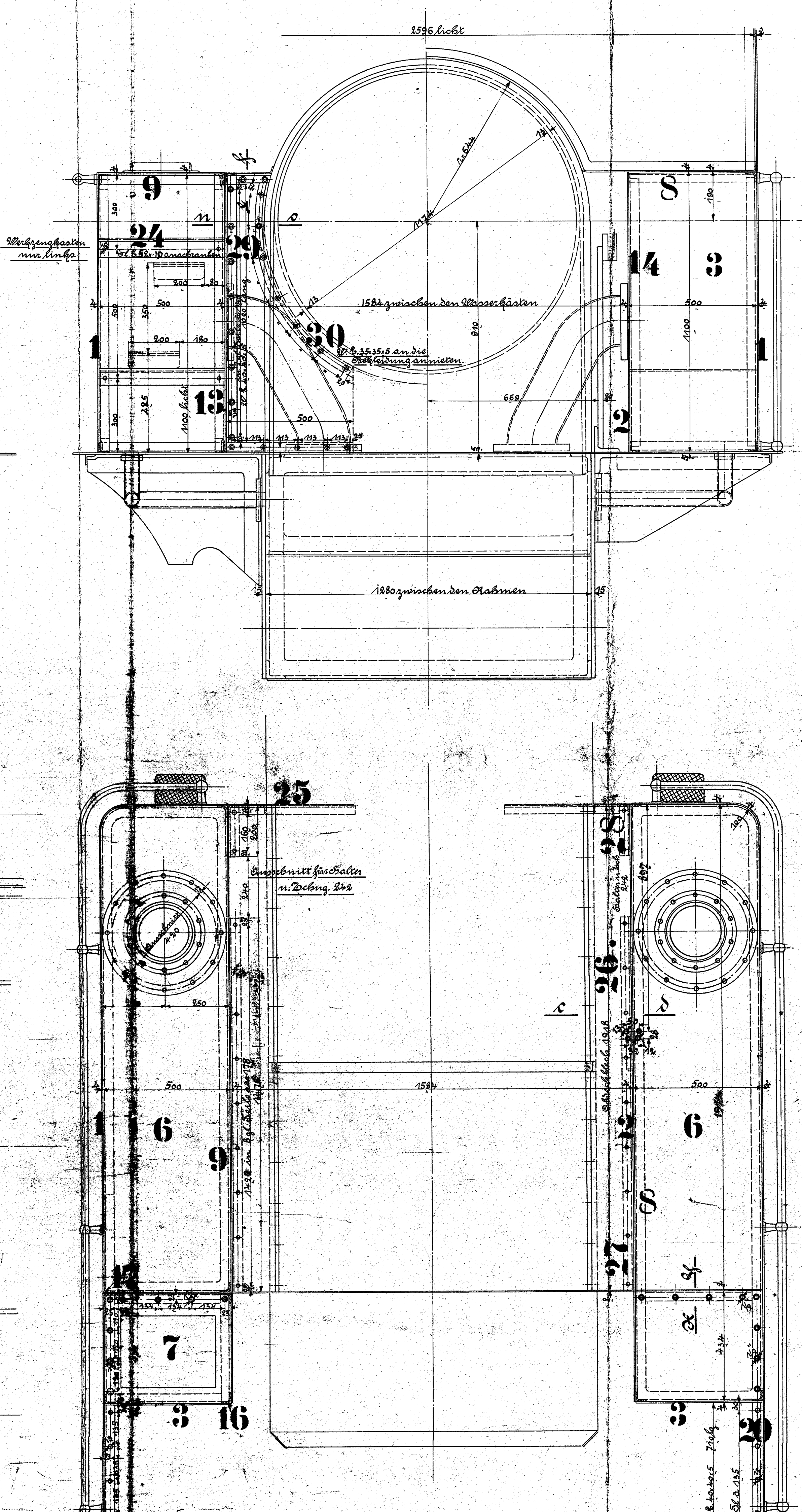
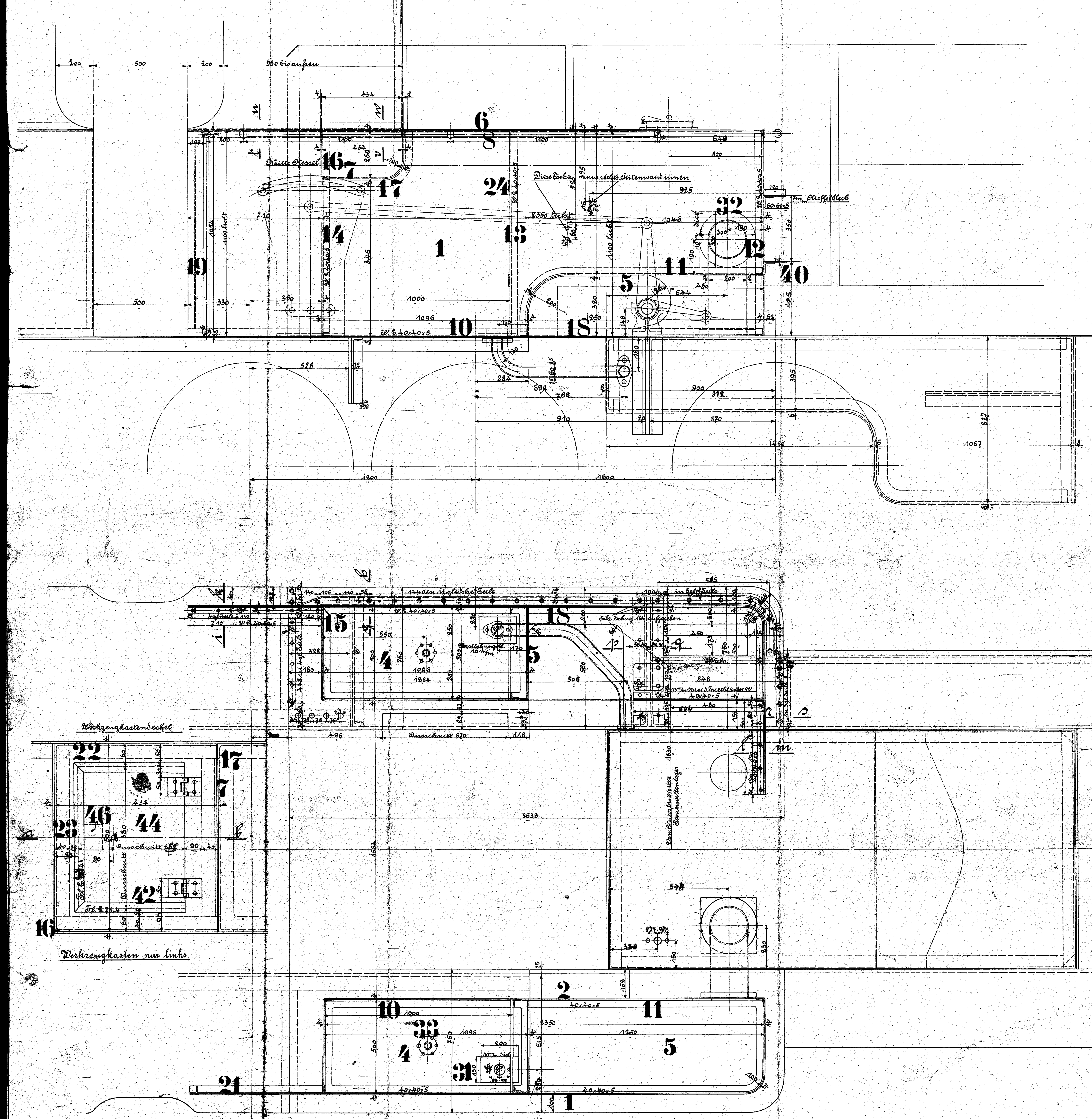


Maßstab: 1/10 nat Größe.

HENSCHEL & SOHN
LOKOMOTIVFABRIK
CASSEL

Schnitt a-t



Ausführung für eine Lokomotive.			Material-Bemerkung		Material-Bemerkung für eine Lokomotive		Fertig-Gewicht	
Stückzahl	Benennung	Nummer	Material	Bemerkung	Dimensionen und Modellzeichen	kg	kg	kg
2	Seitenwände 14. N.	1	St. B.					
2	" "	2	" "					
2	Hinterrände "	3	" "					
2	Bohlenlecke "	4	" "					
2	" "	5	" "					
2	Decklecke "	6	" "					
1	Bohlenblech z. Holzgerüst	7	" "					
1	Winkelrahmen rechts	8	" "					
1	" links	9	" "					
2	offene Winkelrahmen "	10	" "					
2	vord. Winkelrahmen "	11	" "					
2	Winkelrahmen 2. N.	12	" "					
2	hintere Winkelrahmen rechts	13	" "					
2	" links	14	" "					
2	" "	15	" "					
1	offener Winkelrahmen	16	" "					
2	Einwinkel 14. N.	17	" "					
2	Winkelrahmen	18	" "					
2	" oben	19	" "					
2	" unten	20	" "					
2	Flachblechen	21	" "					
2	vord. Abschlusslecke	22	" "					
2	Flachblechen	23	" "					
2	Winkelrahmen	24	" "					
2	" "	25	" "					
2	" "	26	" "					
2	" "	27	" "					
2	" "	28	" "					
2	" "	29	" "					
2	" "	30	" "					
2	" "	31	" "					
2	" "	32	" "					
2	" "	33	" "					
2	" "	34	" "					
2	" "	35	" "					
2	" "	36	" "					
2	" "	37	" "					
2	" "	38	" "					
2	" "	39	" "					
2	" "	40	" "					
2	" "	41	" "					
2	" "	42	" "					
2	" "	43	" "					
2	" "	44	" "					
2	" "	45	" "					
2	" "	46	" "					
2	" "	47	" "					
2	" "	48	" "					

Seitliche Wasserkasten.
3 Stück je Drais.-Dr.-Loch.
der Ranglandbahn.

Fabrik.-Dr.: 103.11 + 103.13
Boch. Dr.: 236